



WE KEEP YOU SAFE AND SECURE

WOODEN PACKAGING PRODUCTS



- Standard /Custom made wood pallets (with or without fumigation/IIPC-ISPM15)
- Plywood /OSB pallets
- Wooden shipping & storage boxes
- Plywood /OSB shipping & storage boxes
- Wooden skids & saddles
- Wooden dunnage



SAS manufactures a wide range of wood packaging products right from small packaging boxes to huge shipping containers. Our packaging experts can design and develop various products from different type of wood as per the specific needs of the customers and we specialize in heavy machinery packing. Our facilities are equipped with the latest machines and we offer packaging solutions for shipping and storage of various types of products and cargo inclusive of heat treatment and fumigation etc. SAS also offers a wide range of green packaging products and is one of the largest stockist of OSB wood panels in this region.

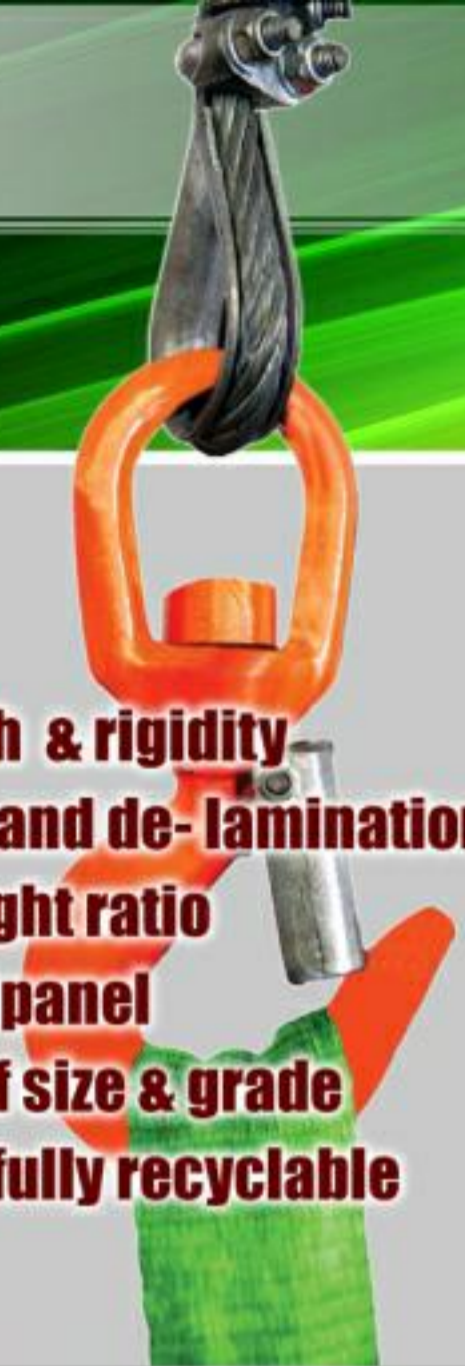


WE KEEP YOU **SAFE AND SECURE**

OSB WOOD PRODUCTS



- **High mechanical strength & rigidity**
- **Resistance to distortion and de-lamination**
- **Excellent strength to weight ratio**
- **Flaw free uniform & solid panel**
- **Comprehensive choice of size & grade**
- **Low ecological impact & fully recyclable**
- **Cost effective**



With the introduction of packing grade OSB (Oriented Strand Boards), SAS offers choice of a wide range of green packaging solutions to its valued clients. OSB is an engineered wood based panel consisting of strands of wood which are bonded with synthetic resins. Due to its high mechanical properties and orientation of the strands within panels, OSB is particularly suitable for many load-bearing applications including packaging and has been widely used as a green alternate to plywood in North America & Europe etc. We are committed to use maximum bio-degradable and reusable materials in our quest to achieve a greener and cleaner environment.

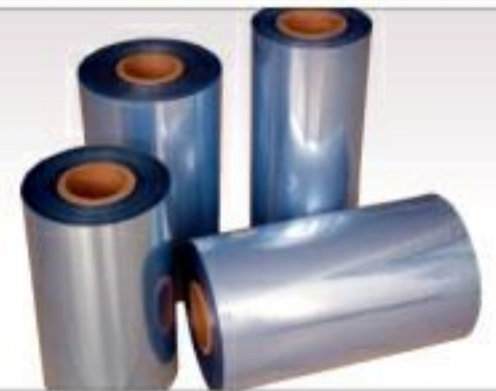


WE KEEP YOU **S**A**F**E **A**ND **S**E**C**URE

VCI PACKAGING PRODUCTS



- Prevents rust & corrosion
- Extends life of equipment
- Prevents system failures
- Preserves attractive appearance
- Maximum reach
- Hassle free application
- Saves time & labour



VCI (Vapor Corrosion Inhibitor) is a corrosion inhibiting compound which when released in an enclosed area forms a very thin molecular layer on the metal surfaces they interact with and this layer effectively inhibits corrosion on the metal surface by preventing air and moisture from coming in contact with the surface. Unlike other methods of rust prevention, the corrosion inhibiting vapors have the ability to reach into intricate surfaces that would be otherwise hard to reach with traditional rust prevention products which are mostly applied and removed manually. SAS represents Hi Tech Industries (RUST-X Brand) the world's largest producer of VCI in multiple product range. RUSTUX VCI gives you up to 5 years of corrosion prevention and is REACH approved as well as ROHS complaint.



WE KEEP YOU **S**A**F**E **A**ND **S**ECURE

DR SHRINK PREMIUM SHRINK WRAP

- 
- Total protection of any sized unit
 - Quick & easy application
 - Can be ventilated
 - Cost effective
 - Water proof
 - UV inhibitors
 - Durable & long lasting



SAS now offers Dr. Shrink , the world leader in premium heavy duty shrink wrap i.e. the best solution for transportation and storage for almost any product. Dr. Shrink's premium shrink wrap offers complete protection against weather damage and is manufactured with 100% virgin resin to ensure consistent mil thickness (lower quality shrink wrap allows more holes & weak spots) as well as maximum UV inhibitors (UV rays weaken the shrink wrap cover and without adequate inhibitors it wont last long) to create a long lasting cover of 12 months and more. Dr. Shrink is a low density polyethylene and is recyclable.



WE KEEP YOU SAFE AND SECURE

LASHING SOLUTIONS SERVICES & SUPPLIES

- **Cars, Light vehicles & Heavy vehicles**
- **Boats & Yachts**
- **Heavy equipments & Machinery**
- **Industrial cargo**
- **Pipes and tubes**
- **Containers**
- **Bulk cargo**
- **Project cargo**



You name it..... we lash it. We lash anything & everything from a small machinery to bulk cargo & project cargos. SAS offers complete range of cargo securing and lashing solutions for air, sea & road transport as well as storage purposes. Our vast experience, technical know how and trained manpower allows us to provide cost effective & time bound lashing solutions for your valuable cargo as per industry specified and certified bench marks. SAS is one of the largest stockist of multiple range of lashing materials inclusive of various types of chains & fittings, polyster straps & fittings etc. and our services are available 24 x 7.



WE KEEP YOU **S**A**F**E **A**ND **S**E**C**URE

PACKAGING SOLUTIONS, SERVICES & SUPPLIES



- Shrink/Stretch/Bubble/Blister products
- Aluminum barrier laminates/Vacuum packing products
- VCI (Vapor Corrosion inhibitors) & Rust prevention products
- Flexible/Corrugated paper products
- Water proof packing products
- Protective & cushioning packing products
- Wooden pallets, boxes, skids & saddles
- Tamper evident tapes & labels
- Temperature, impact and tilt indicators/recorders.



SAS brings a wide range of packaging solution from standard and customized shipping boxes, crates, pallets, flexible packing, fumigation, heat treatment (ISPM15) to package designing services (PDS1) etc, based on quality products and cost effective techniques as per customer specifications & requirements. Our packaging experts can help you design the perfect package to fit your needs and you can rely on our superior products, expertise, technical know-how and trained manpower to safely pack your high value cargo. SAS is one of the largest stockist of multi- range specialized packaging products and it represents world leaders for these product in this region.



WE KEEP YOU **SAFE AND SECURE**

SHIPPING & INDICATOR LABELS



- Standard shipping labels
- Custom made shipping labels
- IMCO labels
- Tiltwatch indicators
- Shock watch indicators
- Humidity indicators
- Temperature indicators

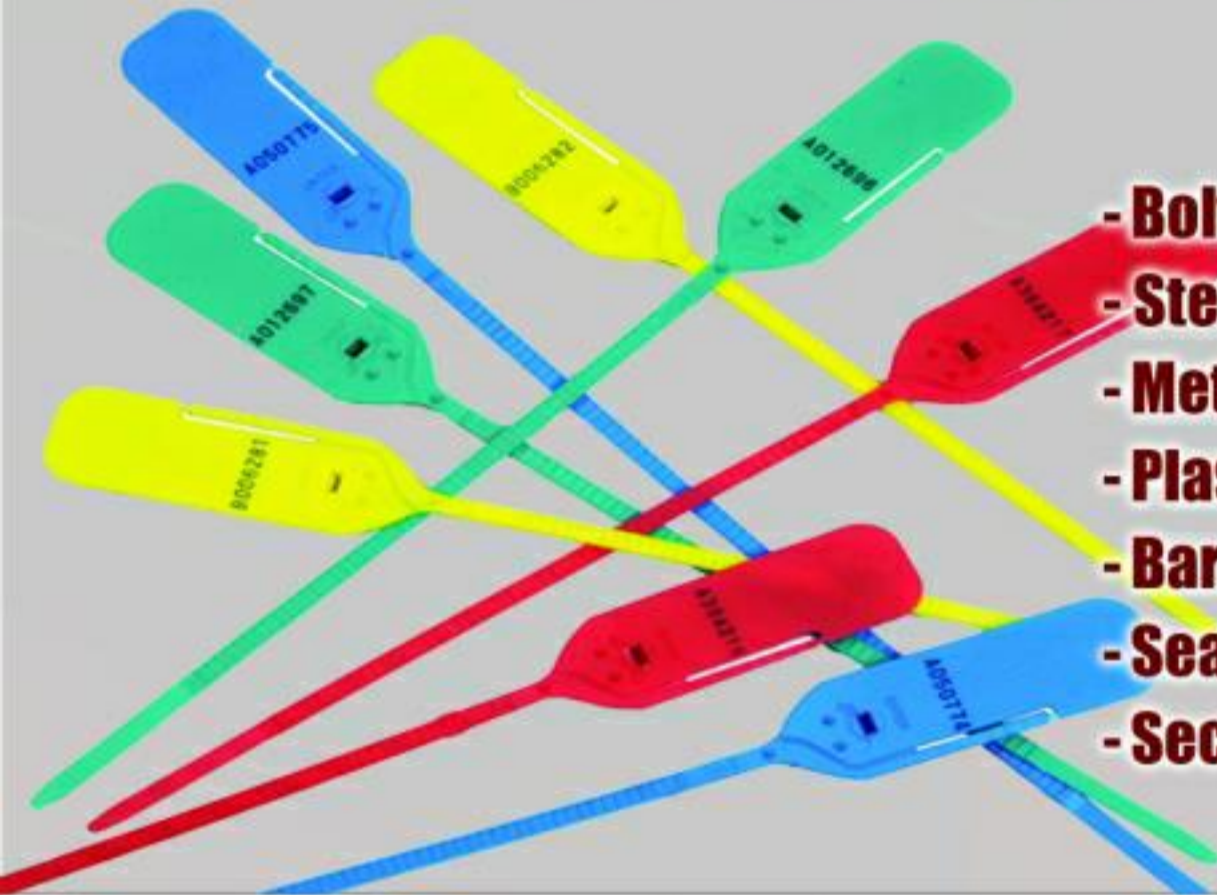


Temperature monitors, impact recorders and tilt indicators detect and record unacceptable handling of goods which damage or affect the stability and integrity of the products during storage and transit. These simple, cost efficient and highly effective devices provide accurate and reliable information to the customers about handling of their goods during storage and transit outside of their direct control. Affixed directly to the goods or packaging they provide a very effective visual deterrent to unacceptable handling. SAS International provides complete climatic packaging solutions & is an authorized stockist for Shockwatch, USA.

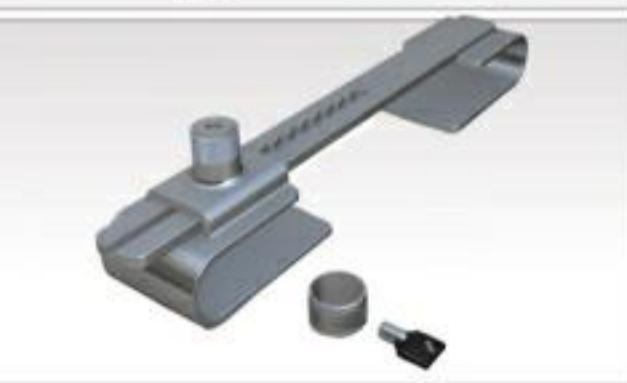
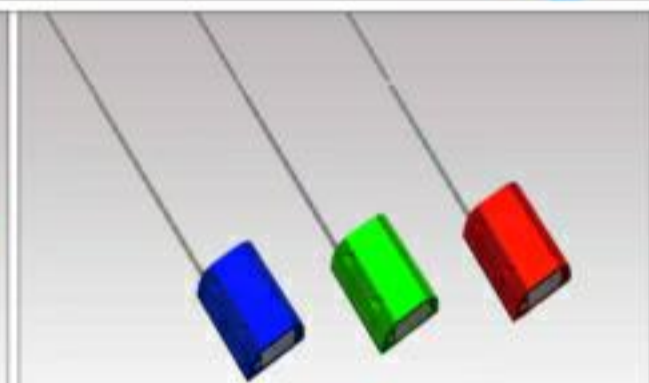
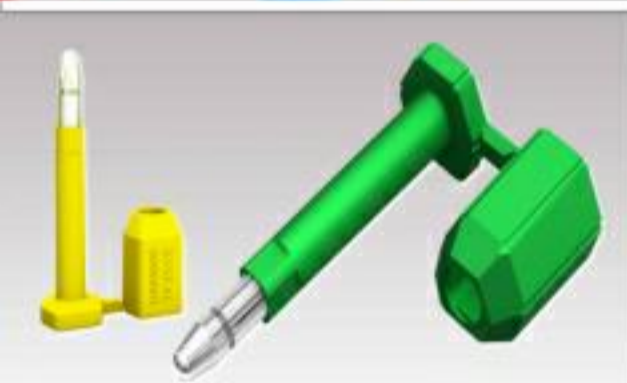
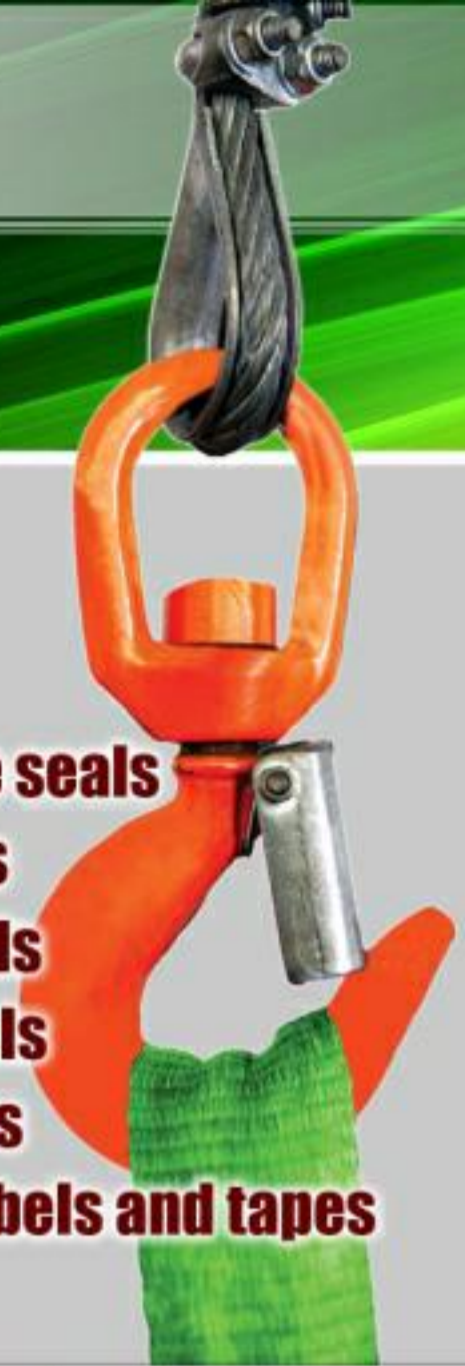


WE KEEP YOU **SAFE AND SECURE**

TOTAL SECURITY SOLUTIONS



- Bolt seals
- Steel cable seals
- Metal seals
- Plastic seals
- Barrier seals
- Seal cutters
- Security labels and tapes



SAS represents Shanghai Xinfan Container Fittings Co. Ltd , one of the largest manufacturers of high quality security seals and the only International Seal Manufacturers Association (ISMA) member from China. The security seals are manufactured strictly in accordance with ISO PAS 17712 and have been widely used by sea, land & air transportation companies as well as other sectors. SAS is a one stop solution for tamper evident products and is one of the largest stockist of security seals in this region having ex-stock availability of a wide range of products. The seals and labels can be printed with customers company details i.e. name & logo etc.